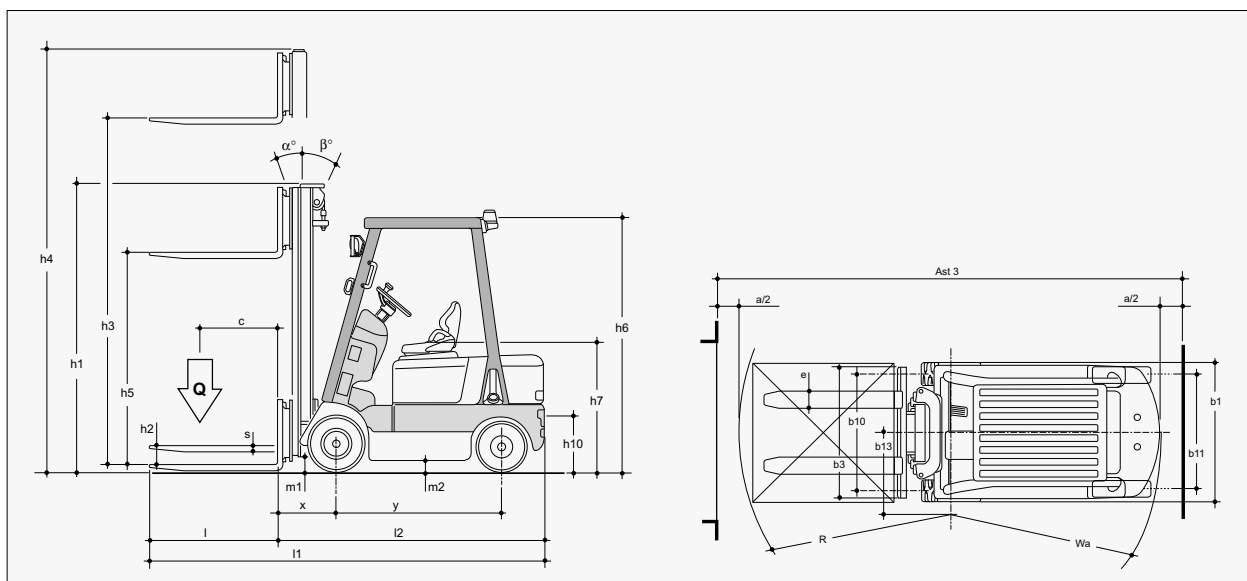
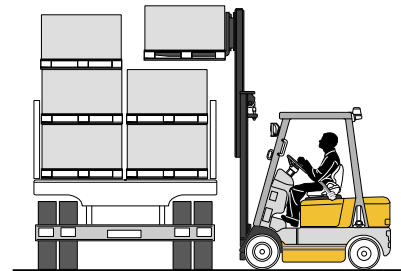


ERGOS 25 D/G



h3		h1	h4	h2	h5	(Q) t c=500 mm	(Q) t c=600 mm
3.000	mm	2.000	4.220	/	1.490	2.5	2.1
3.300	mm	2.150	4.520	/	1.650	2.5	2.1
3.500	mm	2.250	4.720	/	1.750	2.35	1.95
4.000	mm	2.550	5.220	/	2.000	2.35	1.95
4.500	mm	2.100	5.720	/	1.490	2.2	1.85
4.800	mm	2.150	6.020	/	1.600	2.1	1.75
5.000	mm	2.250	6.220	/	1.650	2.1	1.75
6.000	mm	2.650	7.220	/	2.000	1.65	1.4



I.C. COUNTERBALANCED DIESEL AND LPG FORKLIFT TRUCK



OMG S.p.A.
 via dell'Artigianato, 12
 46023 - GONZAGA (MN) Italy
 Tel. + 39 0376 52.60.11
 Fax. + 39 0376 58.80.08
 www.omgindustry.com
 info@omgindustry.com

Lift your Business

				OMG S.p.A.		
Characteristics	1.1	Manufacturer				
	1.2	Manufacturer's model designation		ERGOS 25 D	ERGOS 25 G	
	1.3	Drive : D (diesel) G (lpg)		D	G	
	1.4	Type of control : S (steering wheel) R (seated)		S / R		
	1.5	Load capacity		Q (t)	2.5	
	1.6	Load centre distance		c (mm)	500	
	1.8	Load distance, centre of drive axle to fork		X (mm)	465	
	1.9	Wheelbase		Y (mm)	1.550	
	Weight	2.1	Service weight		Kg	3.800
2.2		Axle loading (with load)	front / rear	Kg	5.470 / 830	
2.3		Axle loading (without load)	front / rear	Kg	1.410 / 2.390	
Wheels - Chassis	3.1	Tyres : se (superelastic) cu (cushion) pn (pneumatic)		se / pn		
	3.2	Front wheels size		mm	7,00 - 12 - 12	
	3.3	Rear wheels size		mm	6,00 - 9 - 10	
	3.5	Wheels : number front / rear (x = traction)		2 x / 2		
	3.6	Track width, front		b 10 (mm)	970	
	3.7	Track width, rear		b 11 (mm)	985	
	Dimensions	4.1	Mast tilting forward / backward		α / β	6 / 12
4.2		Lowered mast height		h1 (mm)	2.150	
4.3		Free lift		h5 (mm)	1.650	
4.4		Lifting height		h3 (mm)	3.300	
4.5		Extended mast height		h4 (mm)	4.520	
4.7		Overhead guard (cab)		h6 (mm)	2.150	
4.8		Seat height		h7 (mm)	1.140	
4.12		Coupling height		h10 (mm)	250	
4.19		Total length		l1 (mm)	3.705	
4.20		Length to forks face		l2 (mm)	2.505	
4.21		Overall width		b1 / b2 (mm)	1.158 / 1.532	
4.22		Forks dimensions		s / e / l	40 / 125 / 1.200	
4.23		Fork carriage Class / Type A, B		IIA		
4.24		Fork carriage width		b3 (mm)	1.024 / 1.650	
4.31		Ground clearance, under the mast	laden	m1 (mm)	116	
4.32		Ground clearance, centre of wheelbase	laden	m2 (mm)	196	
4.33		Aisle width with pallets 1000 x 1200 forking side 1200		Ast3 (mm)		
4.34	Aisle width with pallets 800 x 1200 forking side 800		Ast3 (mm)	3.905		
4.35	Turning radius		Wa (mm)	2.250		
4.36	Smallest pivot point distance		b13 (mm)			
Performances	5.1	Travel speed	laden / unladen	Km / h	18 / 19	
	5.2	Lifting speed	laden / unladen	m / s	0.53 / 0.65	
	5.3	Lowering speed	laden / unladen	m / s	0.47 / 0.44	
	5.5	Drawbar pull (a 2 Km/h)	laden / unladen	N	17.700 / 13.700	13.200 / 11.700
	5.7	Gradient performance (a 2 Km/h)	laden / unladen	%	25 / 22	20 / 19.5
	5.9	Acceleration time (10 m)		s		
	5.10	Service brake M (mechanical) I (hydraulic)			I	
Motor	7.1	Manufacturer / type		ISUZU 4JG2	NISSAN H-25	
	7.2	Engine power		KW	44.9	42.7
	7.3	Rated speed		min - 1		
	7.4	Number of cylinders / cubic capacity		cm³	4 / 3.059	4 / 2.472
	7.5	Fuel consumption according to VDI cycle		l / h	2.9	
Others	8.1	Type of drive control				
	8.2	Operation pressure for attachments		bar	185	
	8.3	Oil volume for attachments (max available)		l / min		
	8.4	Sound level at driver's ear		dB (A)	88	
	8.5	Tow coupling, type DIN				

Technical specification according VDI 2198

DS.091EN.REV.01

Information and data are given for information only, OMG S.p.A. will have the sole right for technical changes and improvements without giving any notice.